

## STEP 4 – DuPont™ FlexWrap™ NF

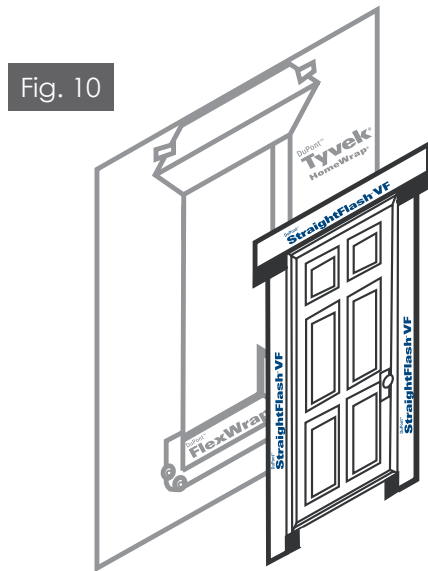
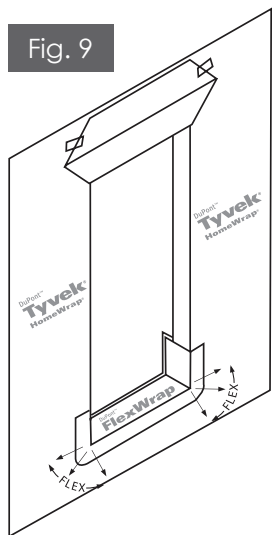
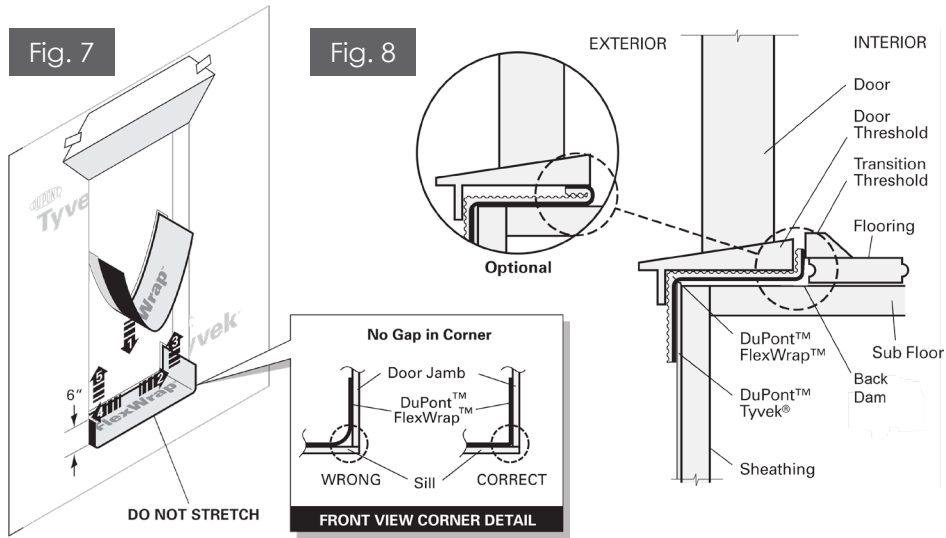
A. Install the **sill flashing** leaving the 1" with release paper extending past the door threshold on the inside, this will form the back dam (fig. 7).

*Optional: some flooring cannot accommodate a back dam. In that case fold the 1" back dam on top of the sill. The door will be installed on top of the fold to create a back dam (fig. 8).*

B. Fan the flashing at the bottom corners and onto the face of the exterior wall (fig. 9).

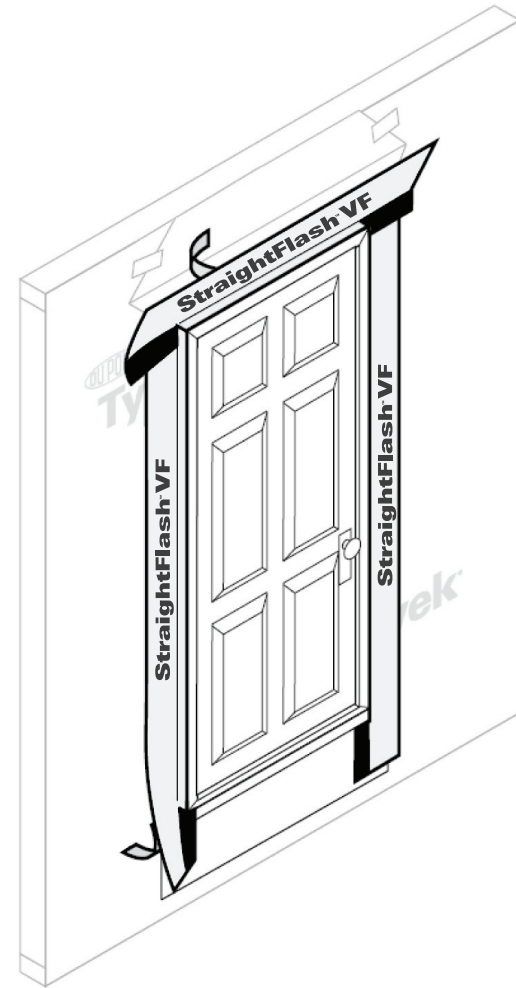
C. Place door in rough opening and install following manufacturer's installation guidelines.

D. Remove release paper from both jambs and adhere to substrate (fig. 10).



DuPont™  
**Tyvek®**

distributed by



# Door Flashing Kit Installation

## STEP 1 – DuPont™ Tyvek® StraightFlash™ VF

**Note:** If door arrives with flashing pre-installed, skip to step 4

- A. Break the scored release paper on one edge of the **head flashing** by folding it back and forth upon itself.
- B. Center flashing along the length of the door head and position so that it contacts the door frame and interior side of the brickmould. Remove the inner release paper strip and adhere the flashing to the back of the brickmould (fig. 1).
- C. Remove the outer release paper and adhere the flashing to the door frame.
- D. At the corner of the door frame, cut the DuPont™ Tyvek® StraightFlash™ VF at a 45° angle (fig. 2), fold flaps down (fig. 3).

Fig. 1

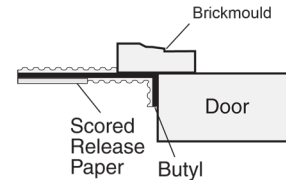


Fig. 2

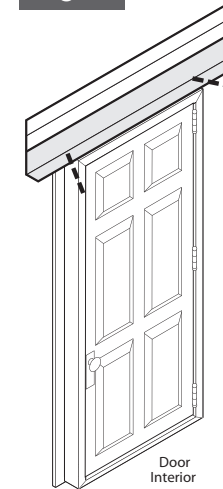
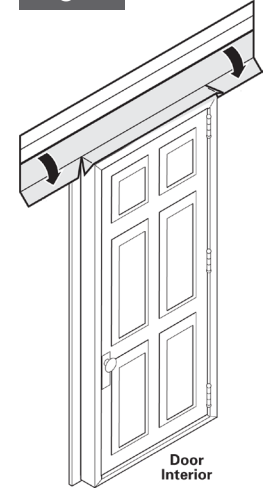


Fig. 3



## STEP 2 – DuPont™ Tyvek® StraightFlash™ VF

- A. Break the scored release paper on one edge of the **jamb flashing** by folding it back and forth upon itself.
- B. Center flashing along the length of the door jamb and position so that it contacts the door frame and back of the brickmould. Remove inner release paper strip and adhere the flashing to the back of the brickmould (fig. 4).
- C. Remove the outer release paper and adhere the flashing to the door frame.

Fig. 4

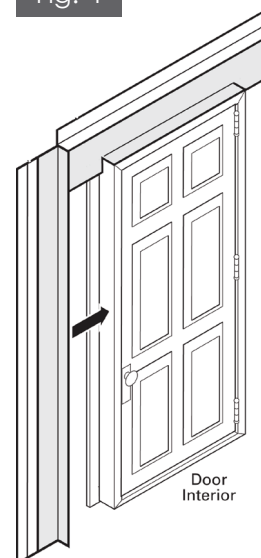


Fig. 5

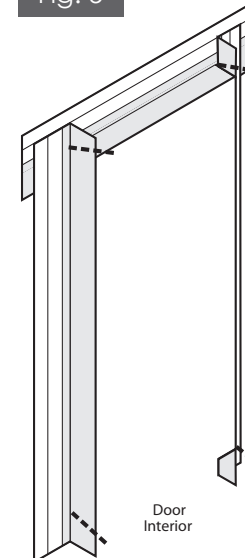
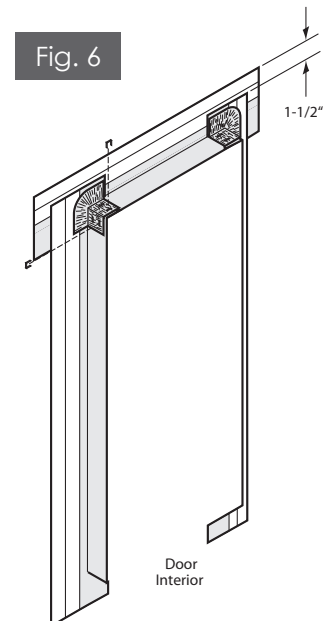


Fig. 6



## STEP 3

- A. At the corner of the door frame, cut the DuPont™ Tyvek® StraightFlash™ VF and fold it down flat to adhere against the head flashing (fig. 5).
- B. Repeat for opposite side of jamb flashing.
- C. Install supplied DuPont™ FlexWrap™ NF patch over the corner of jamb flashing (fig. 6).