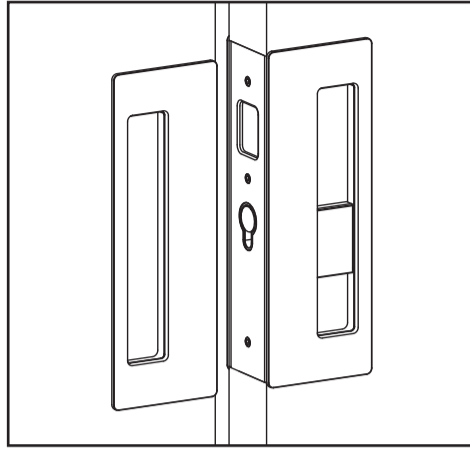


CL400[®] Magnetic 1

PAGE

Installation Instructions for CL400 Magnetic Bi-Parting Privacy Handles

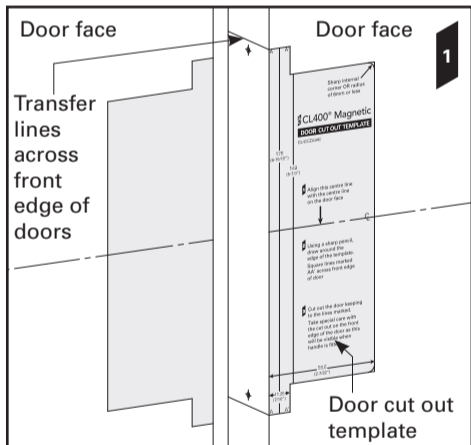


Before you Start:

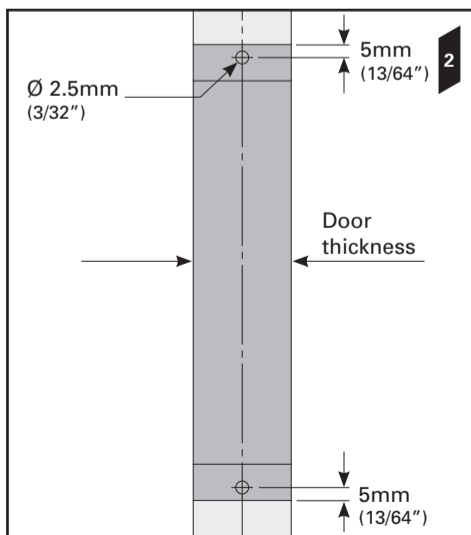
- These handles have been manufactured to specifications which **cannot** be altered by the installer. These include:
 - Handle type:** the CL400 handle is available in *Passage, Privacy, Key Locking* and *Bi-Parting* versions. You have purchased the **Bi-Parting Privacy** version.
 - Configuration:** the Privacy handle configurations include; *Snib/Snib, Snib One Side* and *Snib/Emergency*.
 - Handing**
 - Door thickness range:** the CL400 handle is available to fit four door thickness ranges. These are: 34-40mm, 40-46mm, 46-52mm and 52-58mm (1-3/8" to 1-9/16", 1-5/8" to 1-3/4", 1-13/16" to 2" and 2-1/16" to 2-1/4").
 - Security:** the CL400 handle varies in security depending on the version and configuration. The CL400 Bi-Parting Privacy configuration provides low level security. It is important to note that the **CL400 handle should not be installed in situations where a high level of security is required, e.g. external entry points or high security internal doorways.**
- Refer to the information printed on the *Side Handle* and *Chassis* boxes to ensure you have purchased handles with the correct specifications for your situation. **If the specifications are incorrect you will need to exchange the handles.**
- Component drawings have been provided. Please familiarise yourself with the components and check the package to ensure nothing is missing. **Note: Components may vary slightly between configurations.**
- To ensure the handles latch accurately, it is essential that the doors are adjusted for height and are parallel with the closing jamb when closed **before** installing the handles.
- The CL400 is a metric handle. **Accurate measurements are shown in millimetres. Conversions to inches are approximate.**

Door Preparation

- Mark a line on the face of the doors where the centre of the handles are to be positioned. Align the centre line on the *door cut out template* with the centre line on the door. Follow the instructions on the template. Repeat cut out for both doors.

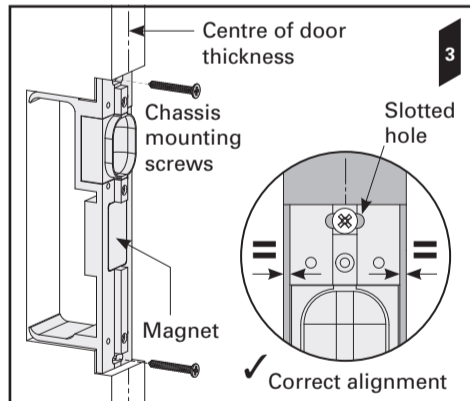


- Mark two holes in the centre of the door thickness in the positions shown. Using these marks, drill two 2.5mm (3/32") diameter holes to a depth of 35mm (1-3/8"). Repeat holes for both doors.

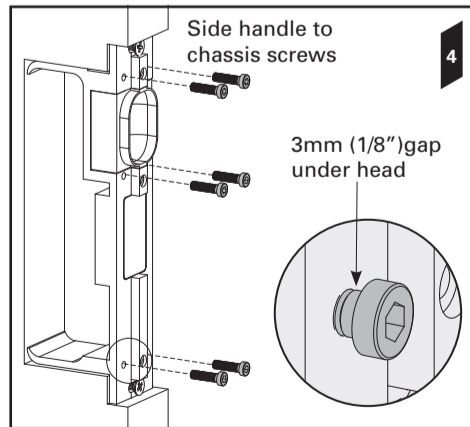


Fitting the Bi-Parting Mate

- The Bi-Parting chassis contains a strong magnet. **Read the warning on page 2 before continuing.** Remove the *Bi-Parting chassis* from its packaging. Remove the *face plate screw* and *face plate* from the chassis. Align the chassis with the centre of the door thickness. Screw the chassis to the door (using the two *chassis mounting screws*) through the slotted holes at the top and bottom of the chassis. **DO NOT** fully tighten the screws. Realign the chassis with the centre of the door thickness. When happy with the chassis position, fully tighten the screws.



- Fit the 6x *side handle to chassis screws*. Leave a 3mm gap (1/8") between the underside of the screw head and the chassis.



3
PAGE

IMPORTANT: Install THIS handle FIRST

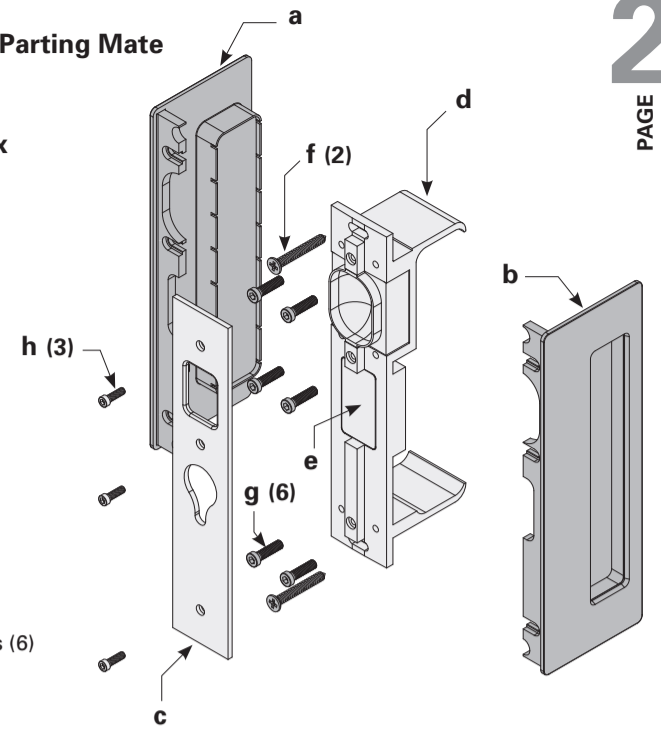
Component Drawings - Bi-Parting Mate

Bi-Parting Side Handle Box

- a Bi-Parting Side Handle (Left)
- b Bi-Parting Side Handle (Right)

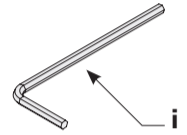
Bi-Parting Chassis Box

- c Bi-Parting Face Plate
- d Bi-Parting Chassis
- e Magnet
- f Chassis Mounting Screws (2)
- g Side Handle to Chassis Screws (6)
- h Handle Face Plate Screws (3)



Tools (contained in Bi-Parting Chassis Box)

- i CL400 Allen Key (used for all machine screws)



WARNING: THE BI-PARTING CHASSIS CONTAINS A STRONG MAGNET

IRON FILINGS - Magnets will attract shavings from iron or ferrous metals which may be hard to remove. Keep magnets a safe distance away from these materials.

DANGER FOR CHILDREN - Magnets may cause serious injury if swallowed. Keep out of reach of children.

CRUSHING, BLISTERS AND CUTS - Fingers may become caught between magnets resulting in crushing, blisters or cuts.

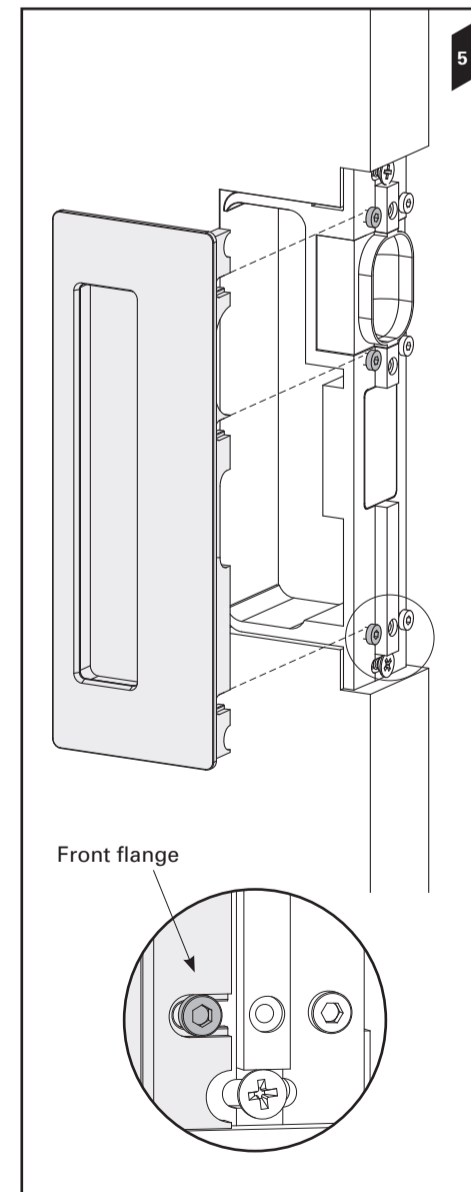
BREAKING OR CHIPPING - It is possible that magnets could chip or shatter on contact with other hard materials, resulting in chips flying off at high speed into someone's eye. Chips can also be very sharp - treat them as you would broken glass.

MAGNETICALLY SENSITIVE ITEMS - Keep a safe distance between the magnet and all objects that can be damaged by magnetism (e.g. mechanical watches, pacemakers, cell phones etc.).

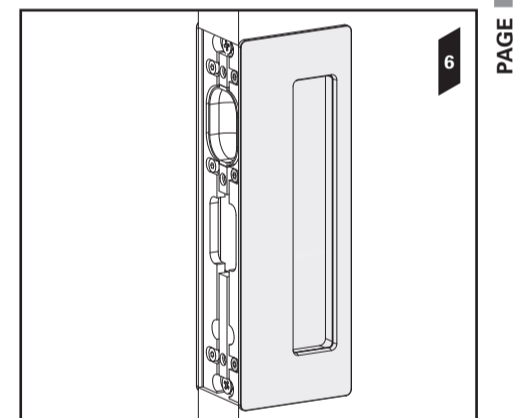
DISPOSAL - Magnets should be disposed of carefully and in accordance with your local regulations.

Fitting the Bi-Parting Mate

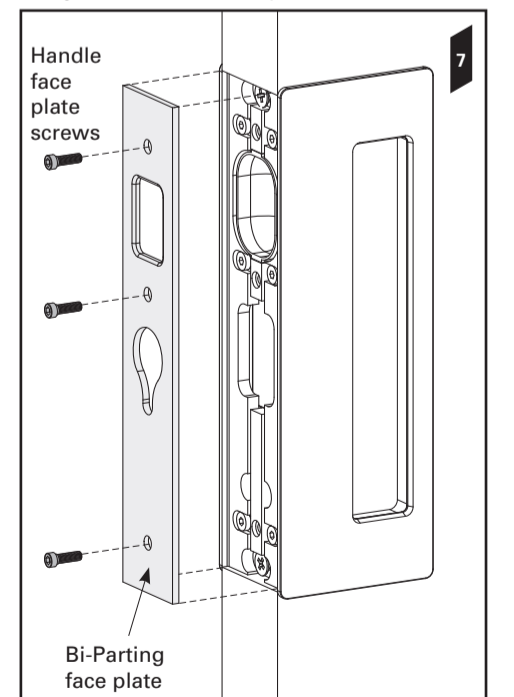
- Fit one of the *Bi-Parting side handles* (left **OR** right) to the chassis by sliding the front flange of the handle under the heads of the 3x *side handle to chassis screws*. Tighten the screws.



- Fit the remaining *Bi-Parting side handle* to the chassis and tighten the side handle screws.



- Fit the *Bi-Parting face plate* to the chassis using the 3x *handle face plate screws*.



Go to page 5 (overleaf) →

2
PAGE

4
PAGE

Component Drawings - Privacy Handle

Privacy Side Handle Box

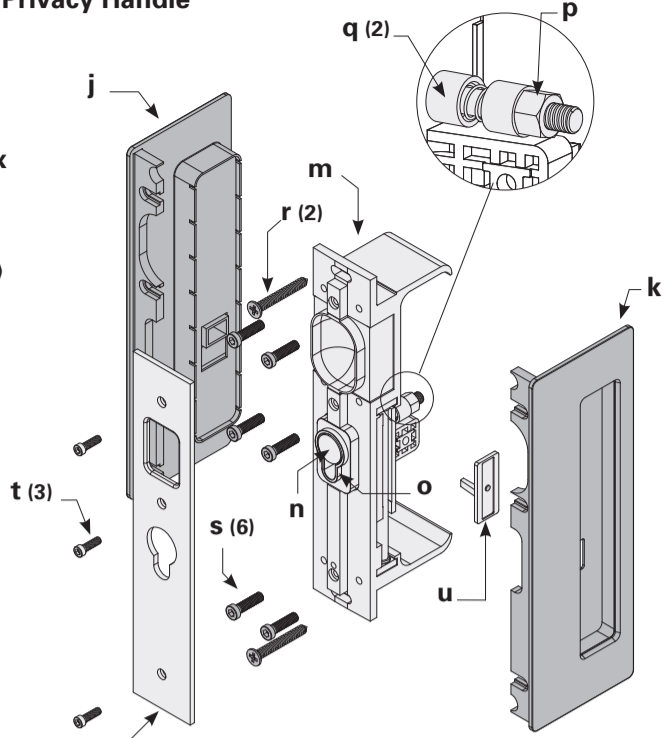
- j** Privacy Side Handle (Left)
- k** Privacy Side Handle (Right)

Privacy Chassis Box

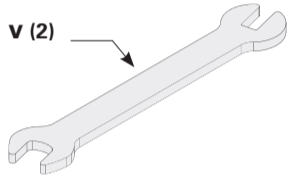
- l** Privacy Face Plate
- m** Privacy Chassis
- n** Plunger
- o** Shroud
- p** Plunger Nut
- q** Spring Reservoirs (2)
- r** Chassis Mounting Screws (2)
- s** Side Handle to Chassis Screws (6)
- t** Handle Face Plate Screws (3)
- u** Emergency Release Button (Where Applicable)

TOOLS (contained in Privacy Chassis Box)

- v** Plunger Adjustment Spanners (2)



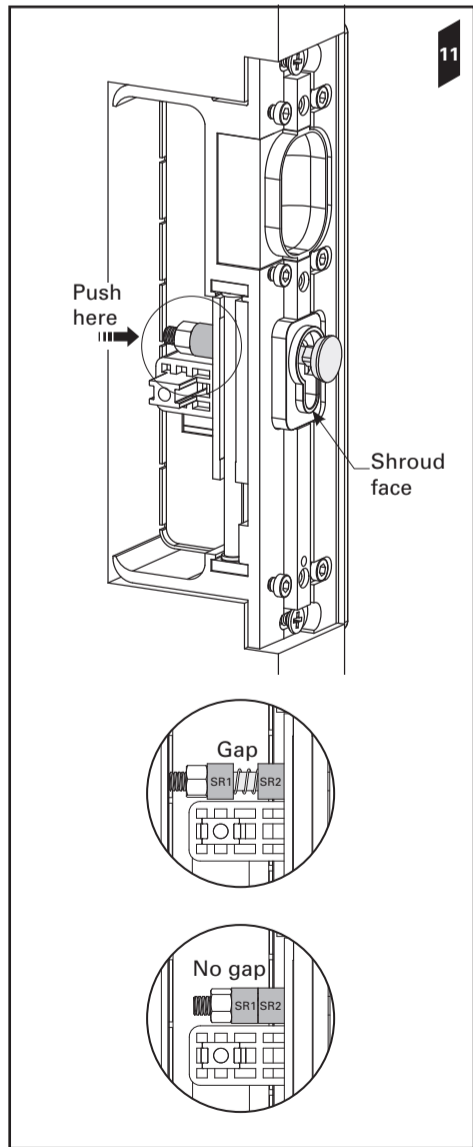
Note: Components will vary between the 'Snib/Emergency', 'Snib/Snib' and 'Snib One Side' versions.



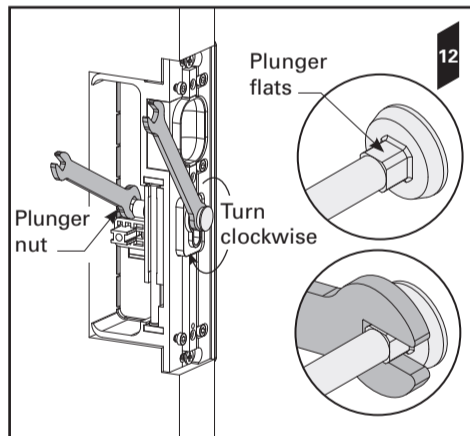
Adjusting the Plunger

11. Manually push the *plunger* in the privacy chassis forward until there is no gap between *spring reservoir one* (SR1) and *spring reservoir two* (SR2).

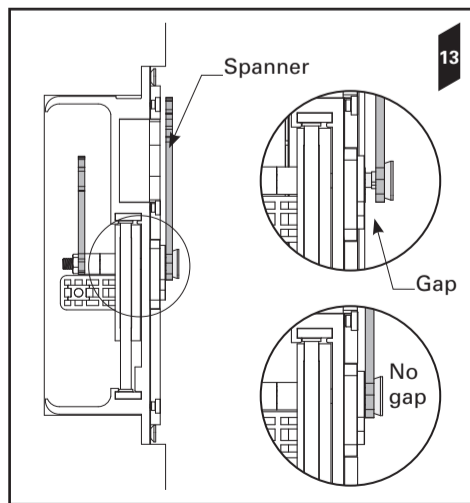
Restrain the *plunger nut* using the **large** end of one of the supplied *spanners*.



12. Place the **small** end of the second spanner across the flats under the head of the plunger. Keep the spanner restraining the plunger nut **stationary** while turning the second spanner **clockwise**.



13. Continue to turn the spanner until there is no longer a gap between the spanner and the shroud face. Now turn the spanner **anti clockwise** half a turn. The plunger should now be adjusted correctly. Slide the doors closed to check that they latch. If the snib button is hard to push down or the plunger doesn't engage, adjust as necessary.

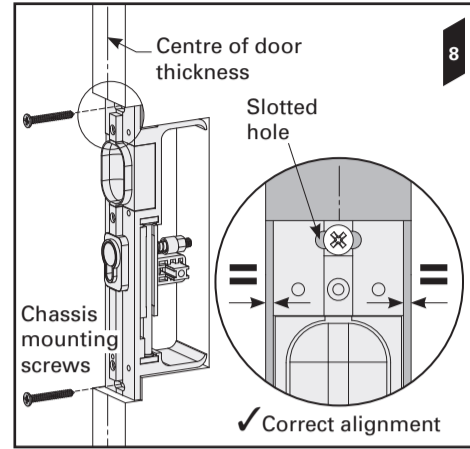


Fitting the Privacy Handle

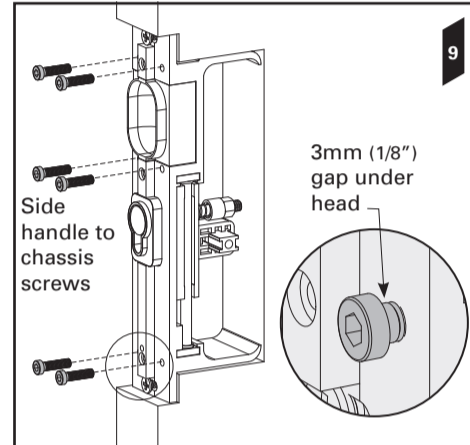
8. Remove the *privacy chassis* from its packaging. Remove the *face plate screw* and *face plate* from the chassis.

Align the chassis with the centre of the door thickness. Screw the chassis to the door (using the two *chassis mounting screws*) through the slotted holes at the top and bottom of the chassis. **DO NOT** fully tighten the screws.

Realign the chassis with the centre of the door thickness. When happy with the chassis position, fully tighten the screws.



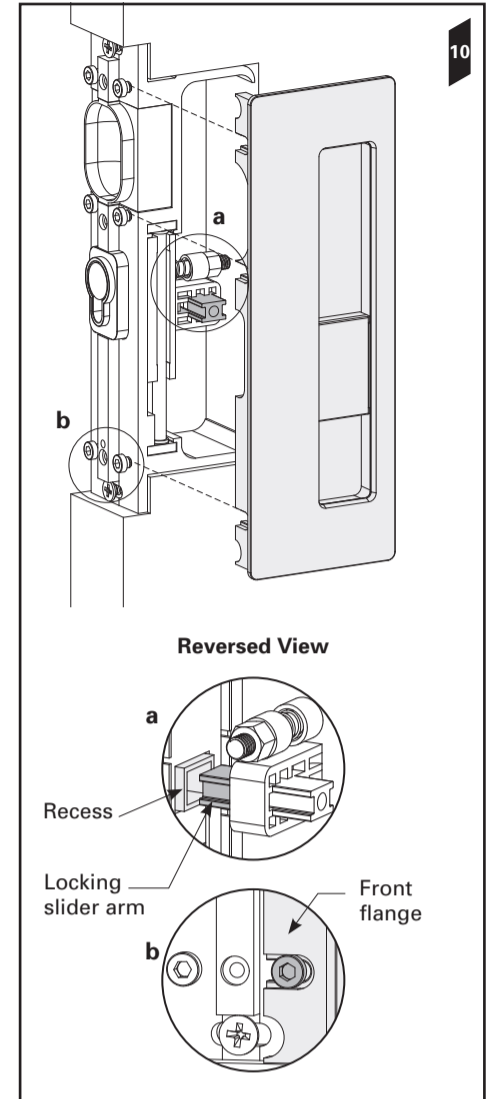
9. Fit the six *side handle to chassis screws*. Leave a **3mm** gap (1/8") between the underside of the screw head and the chassis.



10. Fit the *privacy side handle* containing the snib button to the chassis as follows (if installing a snib/snib privacy handle install **ONE** of the side handles only):

a. Align the recess in the back of the snib button with the arm of the *locking slider*.

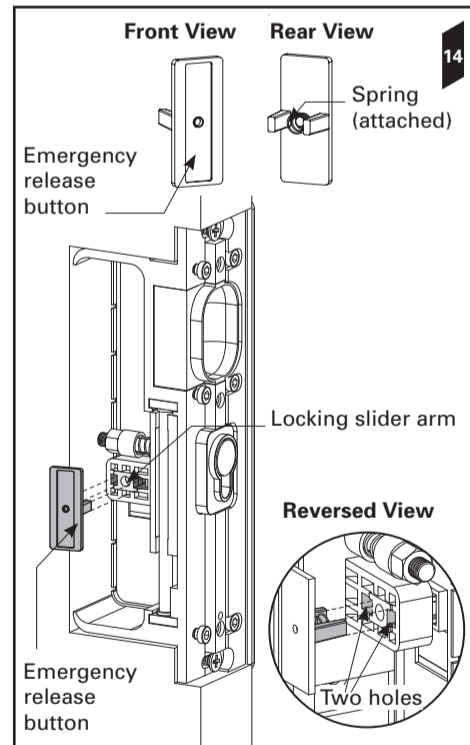
b. Slide the front flange of the handle under the heads of the three *side handle to chassis screws*. Tighten the screws.



Fitting Emergency Release

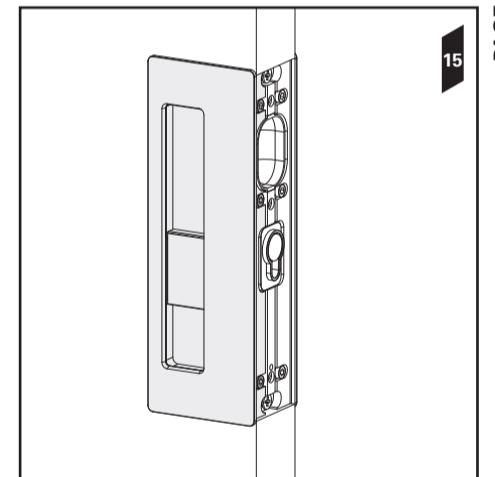
14. If installing a *snib/snib* or a *snib one side privacy handle* proceed to **Step 15**, otherwise, fit the emergency release button (with the spring attached) into the two holes in the arm of the *locking slider*.

Note: the locking slider arm may have been pre-cut depending on the width of the door. The drawing below demonstrates a cut slider arm.

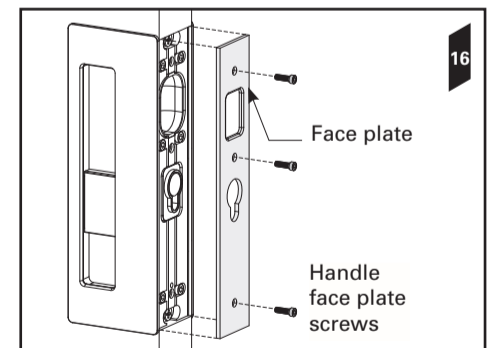


Fitting the Remaining Side Handle

15. Fit the remaining side handle to the chassis and tighten the screws.



16. Fit the *privacy face plate* to the chassis using the three *handle face plate screws*.



© Cavity Sliders Limited. CAVILOCK® CL400® MAGNETIC (O.D. 2013) PRIVACY BIPARTING INSTRUCTIONS. 60912/CL400ZA927 - 05.2017

All copyright and other property in this document is reserved by Cavity Sliders Limited. Details and specifications are subject to change without notice. Whilst all care is taken to ensure the accuracy of all information, no responsibility will be accepted for any errors or omissions. © CS FOR DOORS, CS CAVITY SLIDERS and CAVILOCK are Registered Trademarks. Patents pending.

CaviLock®
Handles & Locks for Sliding Doors



Cavity Sliders Limited
Auckland Head Office
5 - 7 Rakino Way
Mt Wellington
Auckland, NZ

www.csfordoors.co.nz
www.cavitysliders.com.au
www.cavitysliders.com

T +64 9 276 0800
F +64 9 276 2525
info@csfordoors.co.nz

FOR DOORS CavitySliders