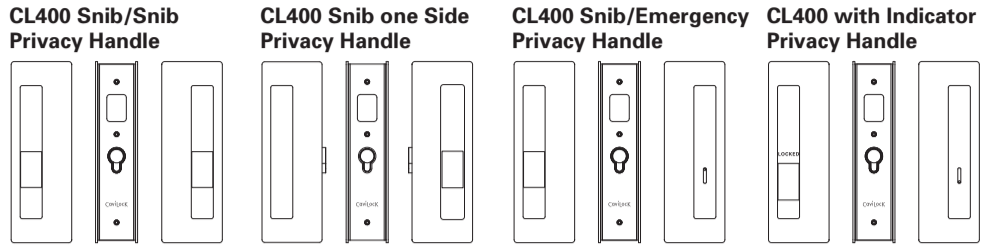
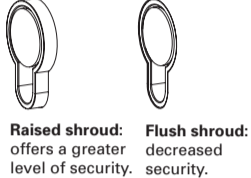


## Installation Instructions for CAVILOCK CL400 Magnetic Privacy Handle



### Before you Start:

- This handle has been manufactured to specifications which **cannot** be altered by the installer. These include:
  - Handle type:** the CL400 handle is available in *Passage, Privacy, Key Locking* and *Bi-Parting* versions. You have purchased the **Privacy** version.
  - Configuration:** the Privacy handle configurations include; *Snib/Snib, Snib one Side, Snib/Emergency* and *Privacy with Indication*.
  - Handing.**
  - Door thickness range:** the CL400 handle is available to fit four door thickness ranges. These are: 34-40mm, 40-46mm, 46-52mm and 52-58mm (1-3/8" to 1-9/16", 1-5/8" to 1-3/4", 1-13/16" to 2" and 2-1/16" to 2-1/4").
  - Security:** the CL400 handle varies in security depending on the version and configuration. Handles supplied with a raised shroud provide a greater level of security than those with a flush shroud, however, it is important to note that **the CL400 handle should not be installed in situations where a high level of security is required, e.g. external entry points or high security internal doorways.**



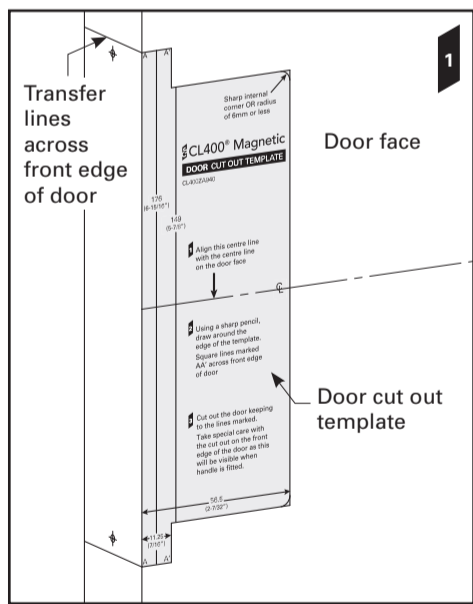
- Refer to the information printed on the *Side Handle* and *Chassis* boxes to ensure you have purchased a handle with the correct specifications for your situation. **If the specifications are incorrect you will need to exchange the handle.**
- Component drawings have been provided. Please familiarise yourself with the components and check the package to ensure nothing is missing. **Note: Components may vary slightly between configurations.**
  - To ensure the handle latches accurately, it is essential that the door is adjusted for height and is parallel with the closing jamb when closed **before** installing the handle and striker.
  - This is a metric handle. **Accurate measurements are shown in millimetres. Conversions to inches are approximate.**

**WARNING: THE STRIKER CONTAINS A STRONG MAGNET IRON FILINGS** - Magnets will attract shavings from iron or ferrous metals which may be hard to remove. Keep the striker a safe distance away from these materials.

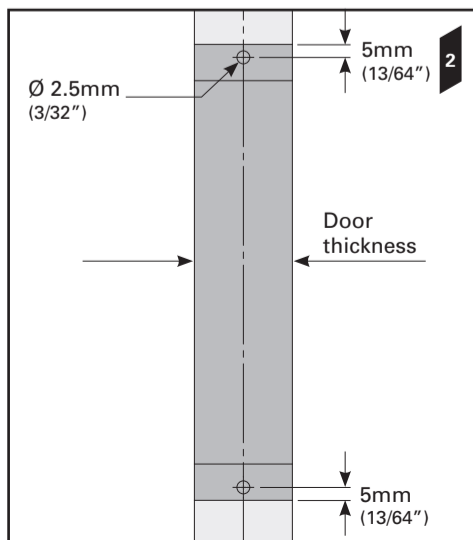
- DANGER FOR CHILDREN** - Magnets may cause serious injury if swallowed. Keep out of reach of children.  
**CRUSHING, BLISTERS AND CUTS** - Fingers may become caught between magnets resulting in crushing, blisters or cuts.  
**BREAKING OR CHIPPING** - It is possible that magnets could chip or shatter on contact with other hard materials, resulting in chips flying off at high speed into someone's eye. Chips can also be very sharp - treat them as you would broken glass.  
**MAGNETICALLY SENSITIVE ITEMS** - Keep a safe distance between the magnet and all objects that can be damaged by magnetism (e.g. mechanical watches, pacemakers, cell phones etc.).  
**DISPOSAL** - Magnets should be disposed of carefully and in accordance with your local regulations.

### Door Preparation

- Mark a line on the face of the door where the centre of the handle is to be positioned. Align the centre line on the *door cut out template* with the centre line on the door. Follow the instructions on the template.

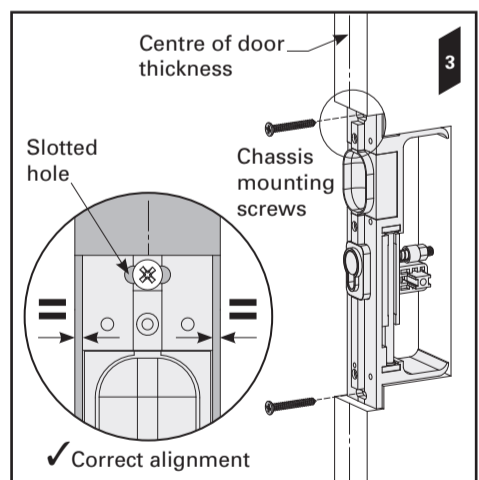


- Mark two holes in the centre of the door thickness in the positions shown. Using these marks, drill two 2.5mm (3/32") diameter holes to a depth of 35mm (1-3/8").

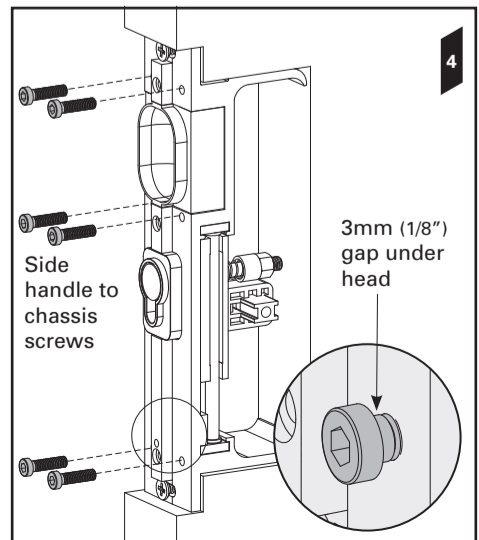


### Fitting the Chassis

- Remove the *face plate screw* and *face plate* from the *chassis*. Align the chassis with the centre of the door thickness. Screw the chassis to the door (using the 2x *chassis mounting screws*) through the slotted holes at the top and bottom of the chassis. **DO NOT** fully tighten the screws. Realign the chassis with the centre of the door thickness. When happy with the chassis position, fully tighten the screws.



- Fit the 6x *side handle to chassis screws*. Leave a 3mm gap (1/8") between the underside of the screw head and the chassis.



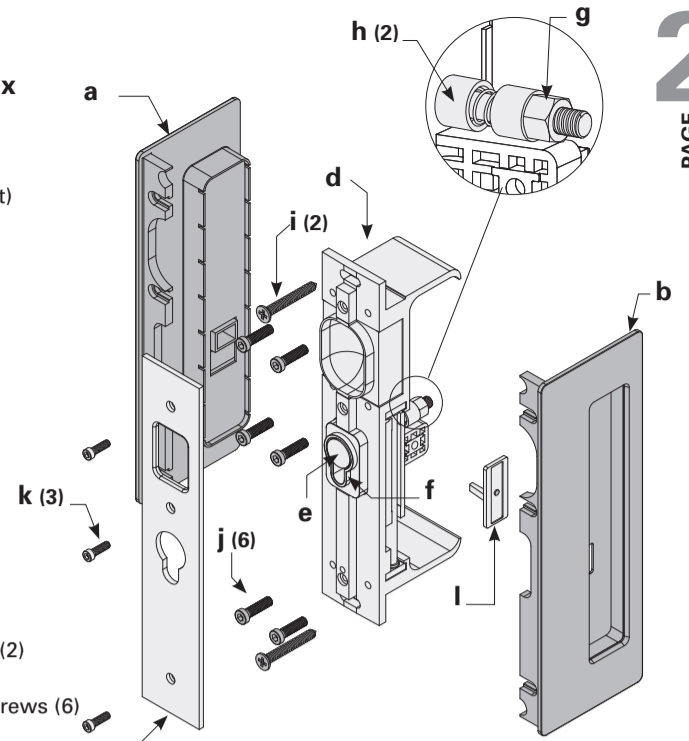
### Component Drawings

#### Privacy Side Handle Box

- a Privacy Side Handle (Left)
- b Privacy Side Handle (Right)

#### Privacy Chassis Box

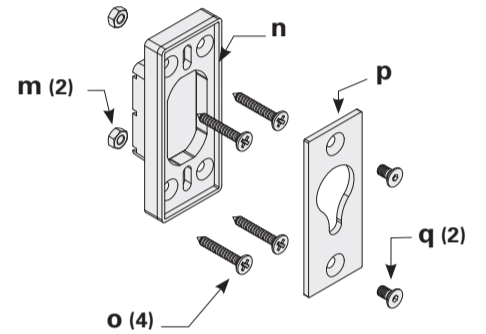
- c Privacy Face Plate
- d Privacy Chassis
- e Plunger
- f Shroud
- g Plunger Nut
- h Spring Reservoirs (2)
- i Chassis Mounting Screws (2)
- j Side Handle to Chassis Screws (6)
- k Handle Face Plate Screws (3)
- l Emergency Release Button (Where Applicable)



**Note: Components will vary between the 'Snib/Emergency', 'Snib/Snib', 'Snib One Side' and 'Privacy with Indication' versions.**

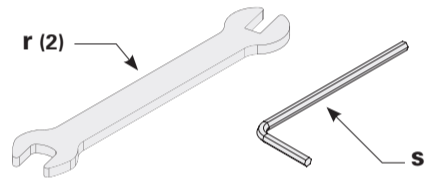
#### Striker Box

- m Striker Nuts (2)
- n Striker Body
- o Striker Mounting Wood Screws (4)
- p Privacy Striker Face Plate
- q Striker Face Plate Screws (2)



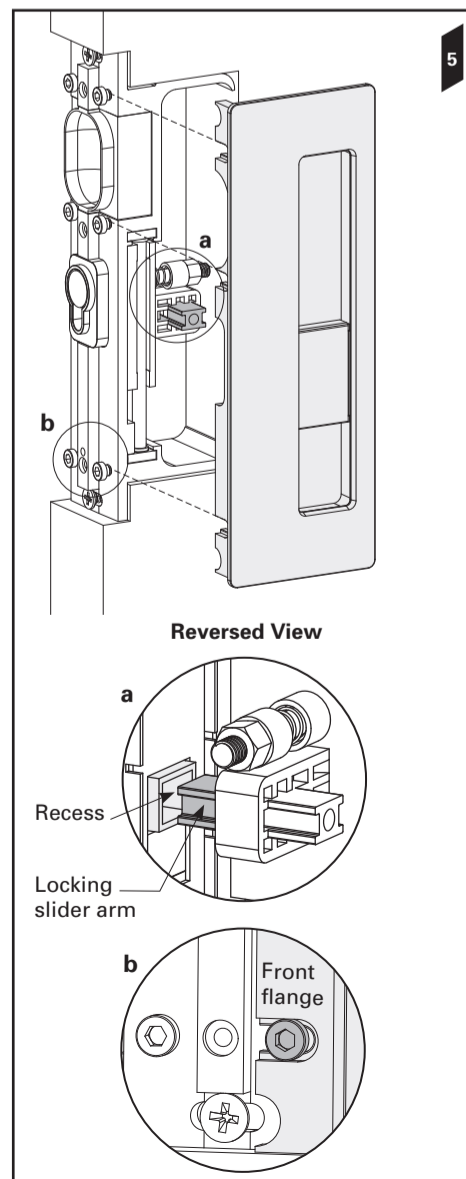
#### TOOLS (contained in Privacy Chassis Box)

- r Plunger Adjustment Spanners (2)
- s CL400 Allen Key (used for all machine screws)



### Fitting the First Side Handle

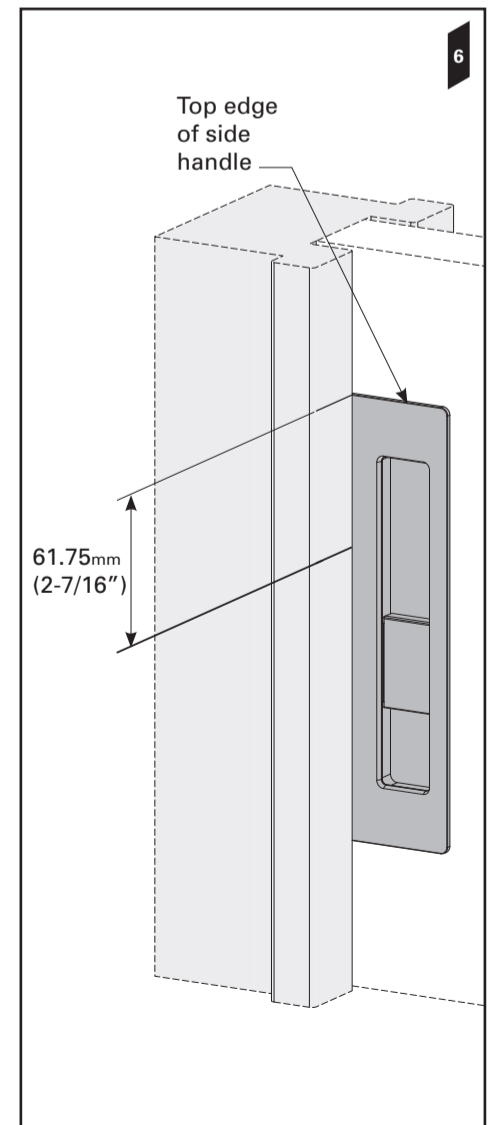
- Fit the *privacy side handle* containing the snib button to the chassis as follows (if installing a snib/snib privacy handle install **ONE** of the side handles only):
  - Align the recess in the back of the snib button with the arm of the *locking slider*.
  - Slide the front flange of the handle under the heads of the 3x *side handle to chassis screws*. Tighten the screws.



### Fitting the Striker

- Close the door and mark a horizontal line on the closing jamb 61.75mm (2-7/16") down from the top edge of the side handle.

**Note: these instructions are demonstrated on a recessed closing jamb, however, the same method applies to a flat closing jamb.**



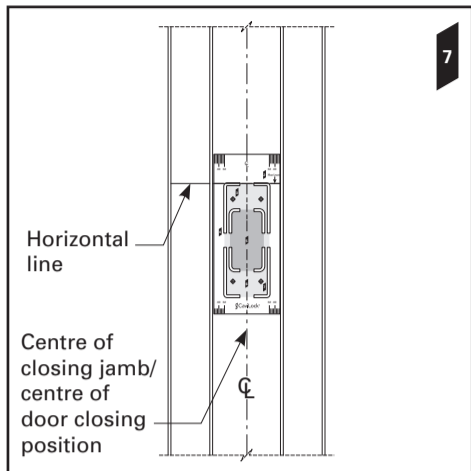
Go to page 5 (overleaf) →

## Fitting the Striker

**7.** Open the door. Transfer the horizontal line across the centre of the closing jamb. This line represents the top of the striker cut out.

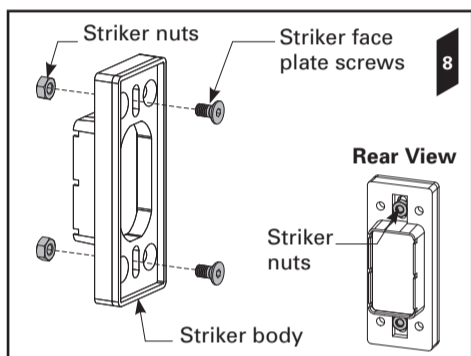
A double-sided *striker cut out template* has been provided:

- Use template labelled '**FLUSH striker template**' if you are installing a *snib/emergency* or *snib/snib privacy handle*.
- Use template labelled '**RECESSED striker template**' if you are installing a *snib one side privacy handle*.



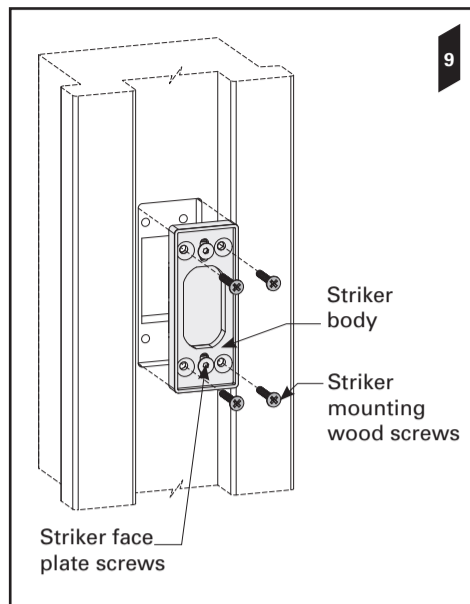
**8.** Remove the striker from its box. Remove the *striker face plate* from the *striker body*. Insert the 2x *striker nuts* into the recess in the back of the *striker body*.

Insert the 2x *striker face plate screws* through the slot in the front face of the *striker body* and into the *striker nuts*. Loosely tighten the screws.

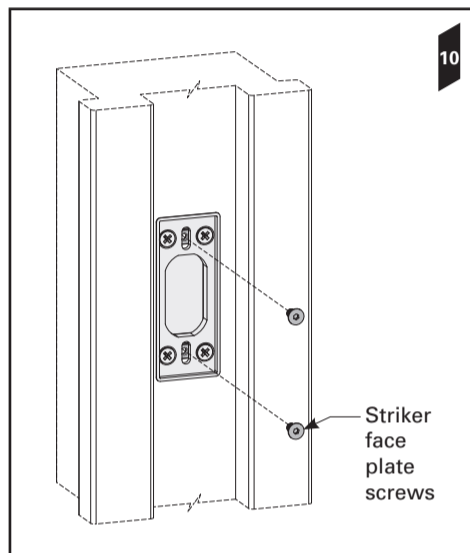


**9.** Insert the *striker body*, with the *striker face plate screws* and the *striker nuts* attached, into the cut out in the closing jamb.

Screw the 4x *striker mounting wood screws* into the closing jamb.



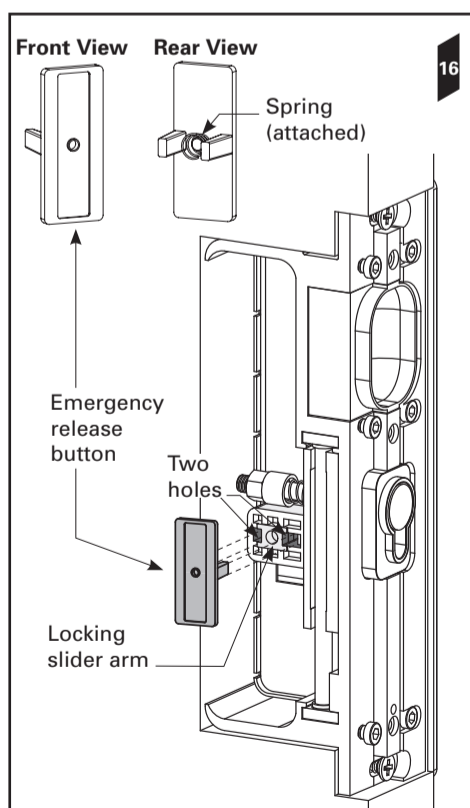
**10.** Remove the *striker face plate screws*. The *striker nuts* are now trapped in position.



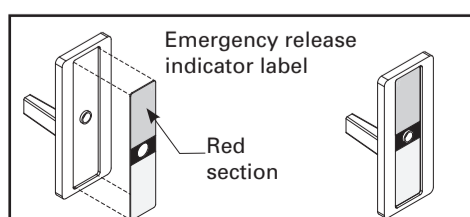
## Fitting Emergency Release

**16.** If installing a *snib/snib* or a *snib one side privacy handle* proceed to **Step 17**, otherwise, fit the *emergency release button* (with the spring attached) into the two holes in the arm of the *locking slider*.

**Note:** the *locking slider arm* may have been pre-cut depending on the width of the door. The drawing below demonstrates a cut *slider arm*.



If you are installing a handle that has **LOCKED/UNLOCKED** indication, ensure that the green and red *Emergency Release Indicator Label* has been applied with the **RED** section at the **TOP**.



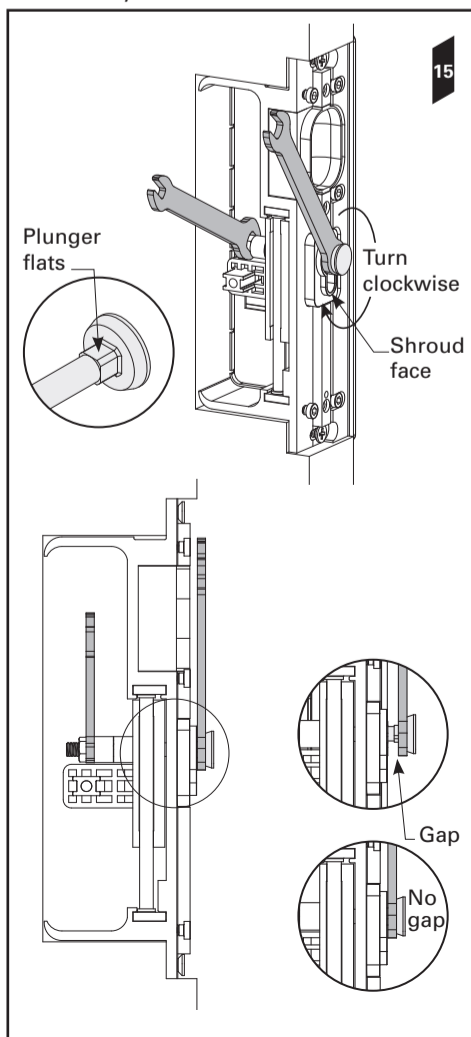
## Adjusting the Plunger

**15.** Place the **small** end of the second *spanner* across the flats under the head of the *plunger*. Keep the *spanner* restraining the *plunger nut* **stationary** while turning the second *spanner* **clockwise**.

Continue to turn the *spanner* until there is no longer a gap between the *spanner* and the *shroud face*.

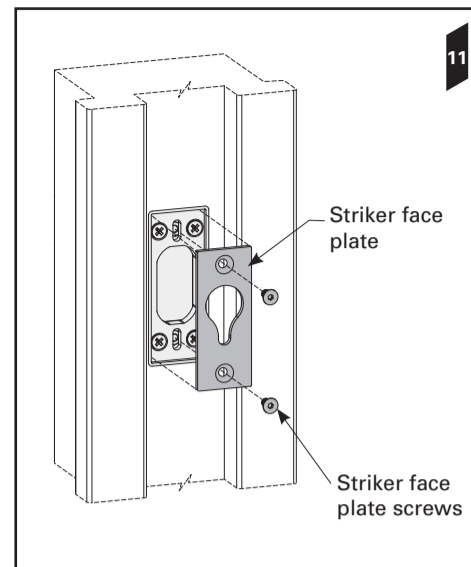
Now turn the *spanner* **anti clockwise** half a turn.

The *plunger* should now be adjusted correctly. Slide the door closed to check that it latches. If the *snib* button is hard to push down or the *plunger* doesn't engage with the *striker*, adjust as necessary.

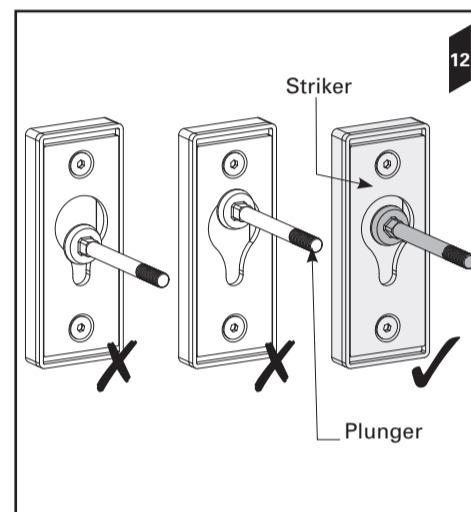


## Fitting the Striker

**11.** Position the *striker face plate* in the centre of the *striker body* - this may need to be adjusted in the steps following. Insert the *striker face plate screws* and loosely tighten.

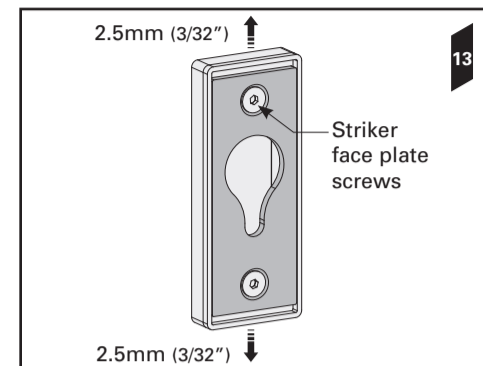


**12.** Close the door. When the *striker* is fitted correctly the magnet will draw the *plunger* forward. If this does not happen the *striker* is misaligned with the *plunger* (see below). If the alignment is correct, tighten the screws and skip to **Step 14**; otherwise continue to **Step 13**.



**13.** The *striker* allows 2.5mm (3/32") of adjustment in each direction when the *striker face plate* is fitted in the centre of the *striker body*.

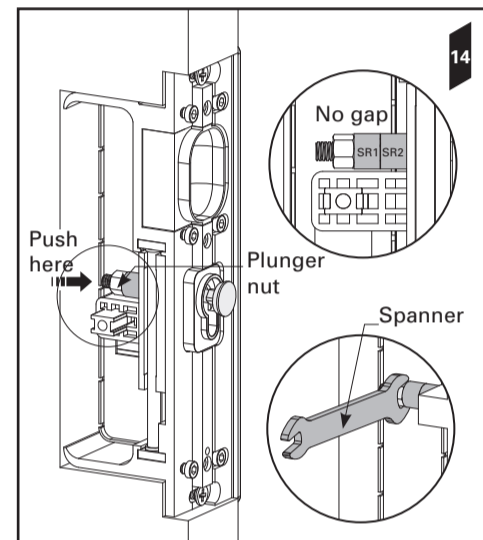
To adjust the *face plate* position, loosen the *striker face plate screws* slightly and adjust the *face plate* up or down to allow the *plunger* to penetrate the *striker face plate*. If the *plunger* still fails to penetrate the *striker face plate*, the door height may need to be adjusted.



## Adjusting the Plunger

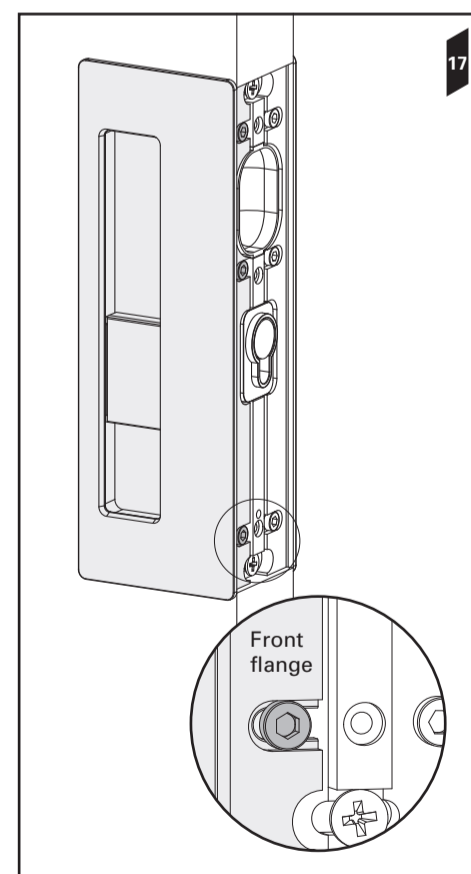
**14.** Manually push the *plunger* forward until there is no gap between *spring reservoir one* (SR1) and *spring reservoir two* (SR2).

Restrain the *plunger nut* using the **large** end of one of the two identical supplied *spanners*.



## Fitting the Remaining Side Handle

**17.** Fit the remaining *side handle* to the *chassis* (using the 3x *side handle to chassis screws*) by sliding the front flange of the handle under the heads of the three screws. Tighten the screws.



© Cavity Sliders Limited. CAVILOCK® CL400® MAGNETIC (O.D. 2013) PRIVACY INSTRUCTIONS. 60905/CL400ZA925 - 05.2017

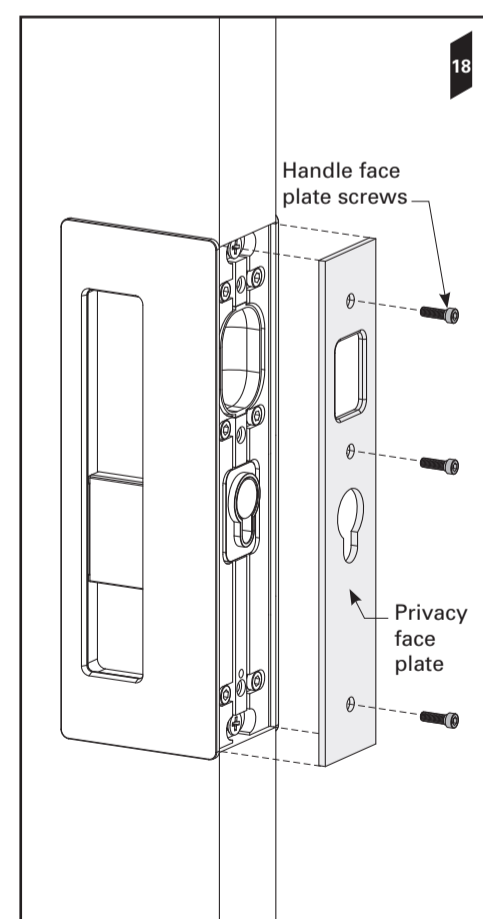
All copyright and other property in this document is reserved by Cavity Sliders Limited. Details and specifications are subject to change without notice. Whilst all care is taken to ensure the accuracy of all information, no responsibility will be accepted for any errors or omissions. © CS FOR DOORS, CS CAVITY SLIDERS and CAVILOCK are Registered Trademarks. Patents pending.

**CaviLock®**  
Handles & Locks for Sliding Doors

FOR DOORS CavitySliders

## Fitting the Face Plate

**18.** Fit the *privacy face plate* to the *chassis* using the 3x *handle face plate screws*.



**Cavity Sliders Limited**  
Auckland Head Office  
5 - 7 Rakino Way  
Mt Wellington  
Auckland, NZ  
www.csfordoors.co.nz  
www.cavitysliders.com.au  
www.cavitysliders.com  
T +64 9 276 0800  
F +64 9 276 2525  
info@csfordoors.co.nz